



Invented in the USA



**MAGLOGIX<sup>®</sup>**

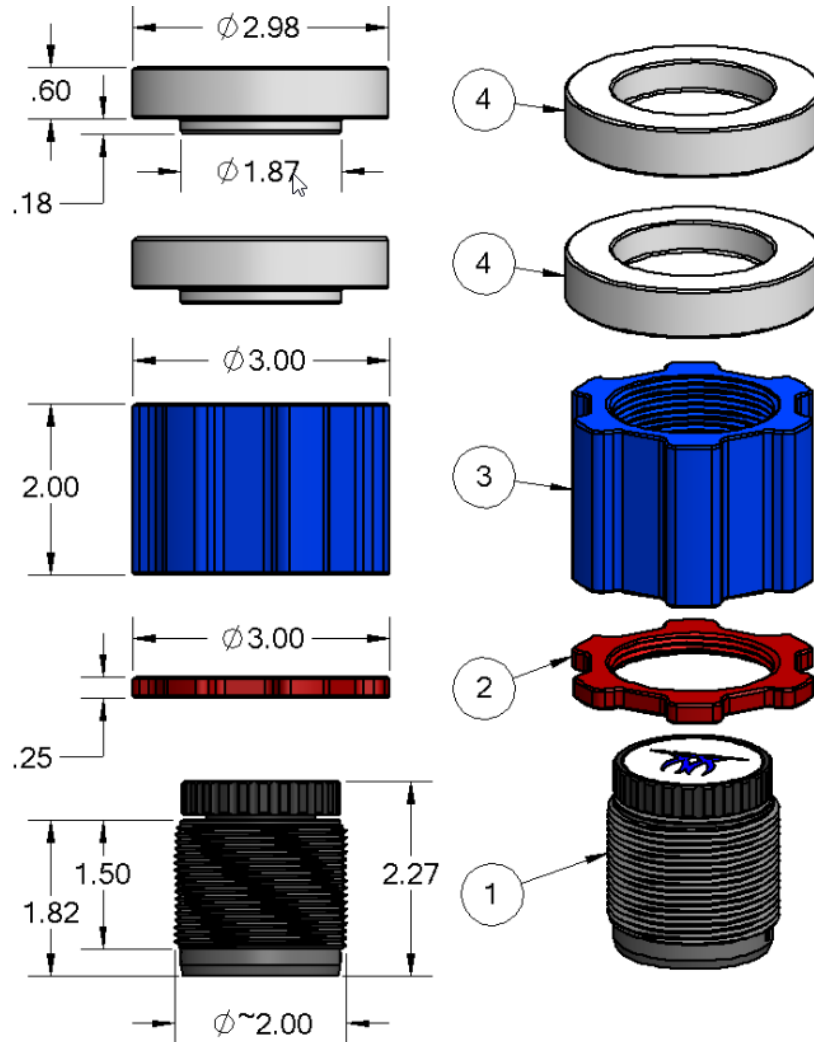


Made in Germany / USA

**NO OTHER MAGNET EVEN COMES CLOSE!**

## 41070.JS Dimensions

### MagnaJig™ MX-150 CNC Jack Screw



Up to 150 lbs. of holding force on 1/8" steel and thicker

Push knob down and rotate 60° clockwise to turn on.

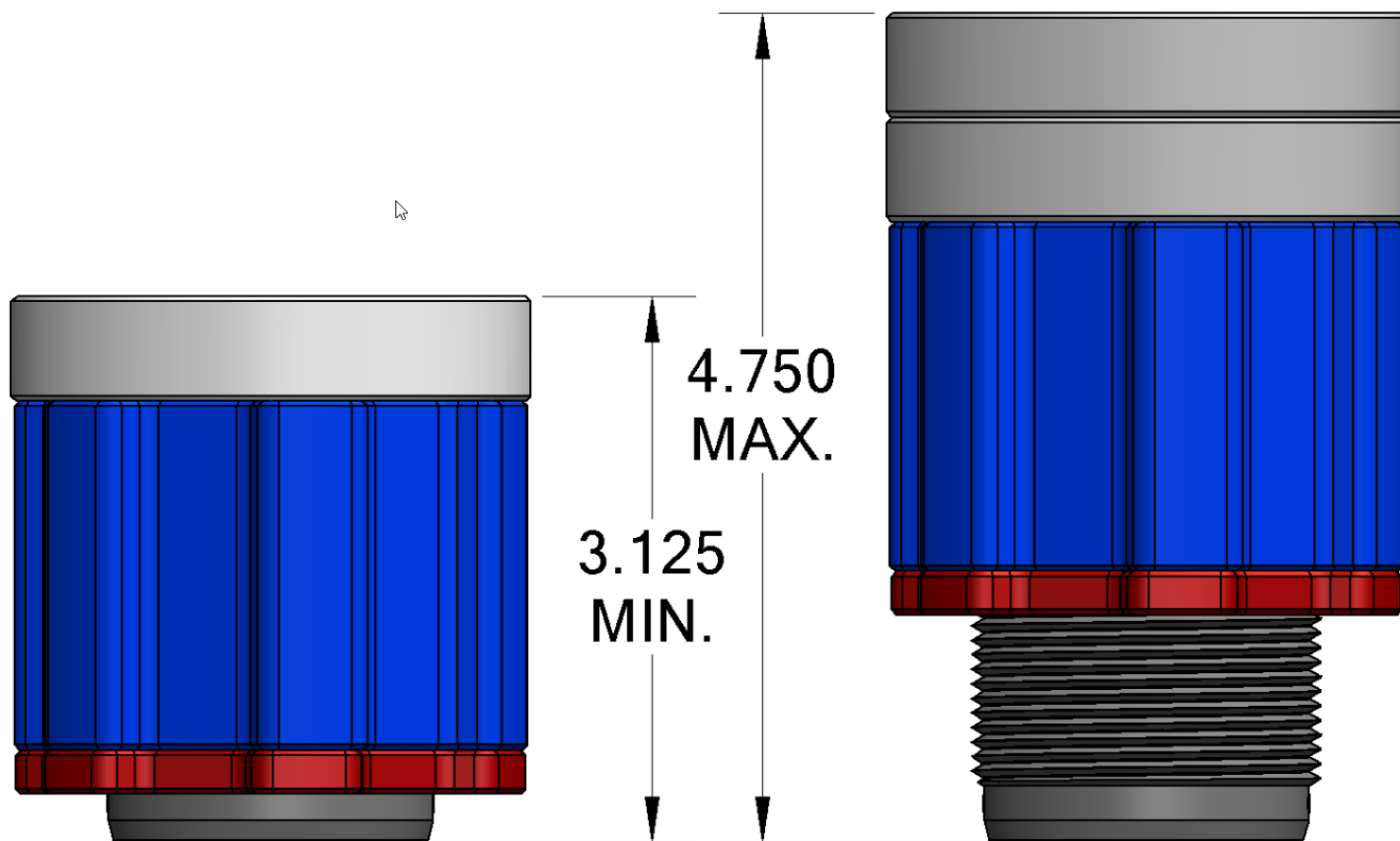
Push Knob down and rotate 60° counterclockwise to turn off

**Net Weight 1.7 lbs.**

Maglogix® LLC.  
11196 Cardinal Drive  
Parker, CO 80138

[www.Maglogix.com](http://www.Maglogix.com)  
YouTube-search "Maglogix"  
[sales@maglogix.com](mailto:sales@maglogix.com)

Ted Brooks  
Sales Manager  
303.885.6400



**Add additional Discs for greater height**