



Invented in the USA



**MAGLOGIX<sup>®</sup>**

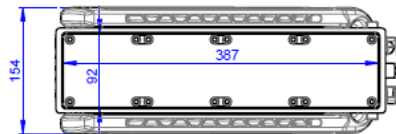
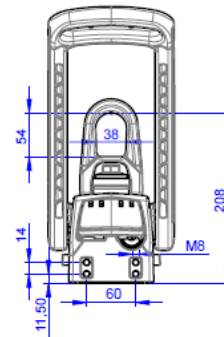
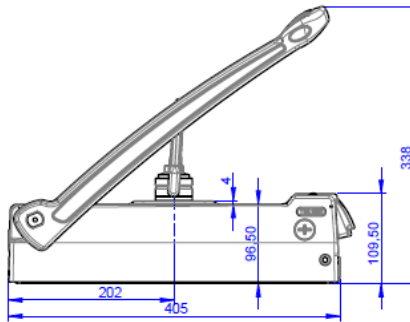
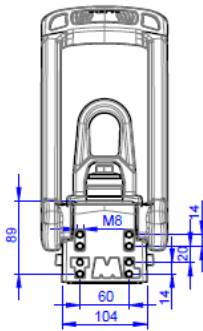
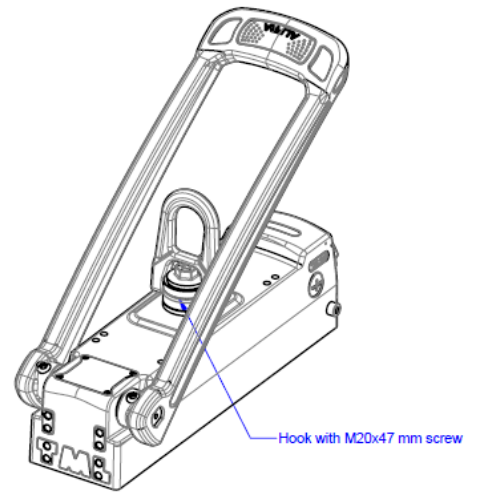
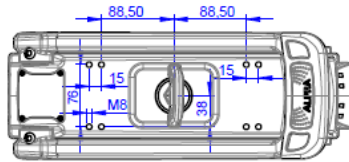
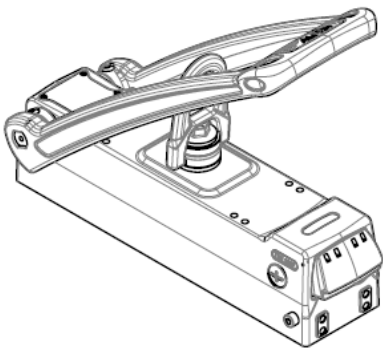


Made in Germany / USA

**NO OTHER MAGNET EVEN COMES CLOSE!**

**411000 Dimensions**

**MagnaHoist™ MXL-2200 Lifting Magnet**



Maglogix® LLC.  
11196 Cardinal Drive  
Parker, CO 80138

[www.Maglogix.com](http://www.Maglogix.com)  
YouTube-search "Maglogix"  
[sales@maglogix.com](mailto:sales@maglogix.com)

Ted Brooks  
Sales Manager  
303.885.6400

<b>Load capacity in lbs</b>						
<b>Thickness of material</b>	Clean, flat, ground surface		Rusty, slightly scratched surface		Irregular, rusty or rough surface	
	Air gap <0.00394 inches		Air gap = 0.01 inches		Air gap = 0.02 inches	
<b>Inches</b>	<b>0°</b>	<b>6°</b>	<b>0°</b>	<b>6°</b>	<b>0°</b>	<b>6°</b>
1/8	550	446	450	365	350	284
3/16	1125	912	1003	813	851	690
1/4	1600	1296	1440	1167	1216	985
5/16	1990	1612	1760	1426	1424	1154
3/8	2250	1823	1923	1558	1428	1157
7/16	2400	1945	2043	1655	1445	1171
1/2	2475	2005	2141	1735	1460	1183
3/4	2500	2026	2163	1752	1525	1236

<b>Load capacity in kg</b>						
<b>Thickness of material</b>	Clean, flat, ground surface		Rusty, slightly scratched surface		Irregular, rusty or rough surface	
	Air gap <0.1 mm		Air gap = 0.2 mm		Air gap = 0.6 mm	
<b>mm</b>	<b>0°</b>	<b>6°</b>	<b>0°</b>	<b>6°</b>	<b>0°</b>	<b>6°</b>
3,2	250	203	205	166	159	129
4,8	511	414	456	370	387	314
6,4	727	589	655	530	553	448
7,9	905	733	800	648	647	524
9,5	1023	829	874	708	649	526
11,1	1091	884	929	752	657	532
12,7	1125	912	973	788	664	538
19,1	1136	921	983	796	693	562

**Above values at 3:1 SWL per ASME recommendation and are based on TUV rating technique**