



Invented in the USA

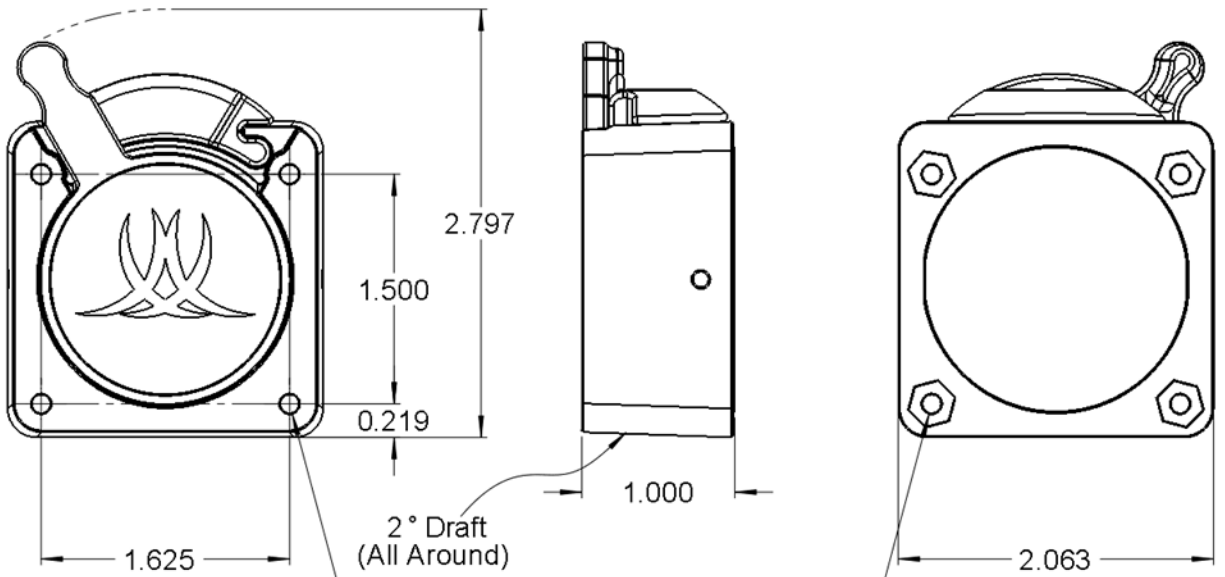


Made in Germany / USA

MAGLOGIX[®]

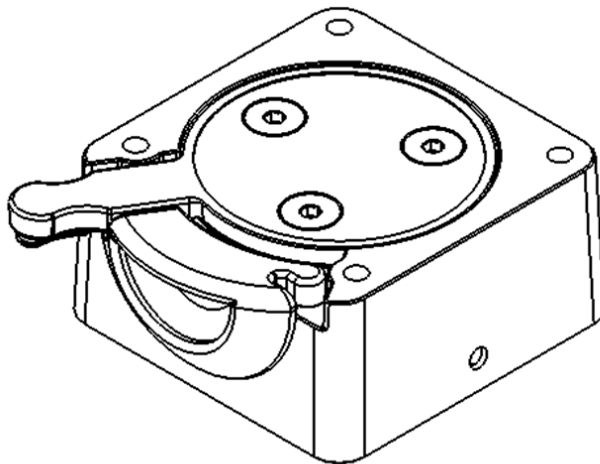
**NO OTHER MAGNET EVEN COMES CLOSE!
41070.PC Dimensions**

MagnaJig[™] MX-150.PC

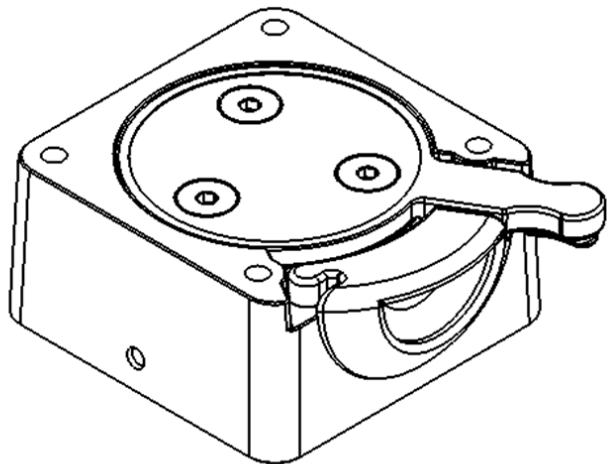


[OPTION 1 - Self-Tapping Screws]
4X 0.136 Through Holes
(Use #8 Plastite Screws)

[OPTION 2 - Recessed Hex Head Screws]
4X Re-drill Clearance Holes with #27 Drill Bit
(Use #6-32 Hex Head Screws Inserted from Bottom)



Left Lock Lever & Button



Right Lock Lever & Button

Maglogix[®] LLC.
11196 Cardinal Drive
Parker, CO 80138

www.Maglogix.com
YouTube-search "Maglogix"
sales@maglogix.com

Ted Brooks
Sales Manager
303.885.6400