



Invented in the USA



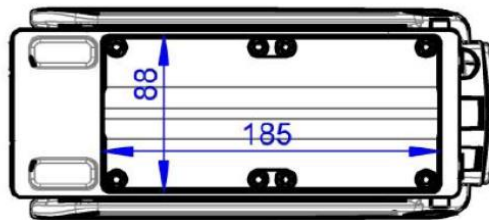
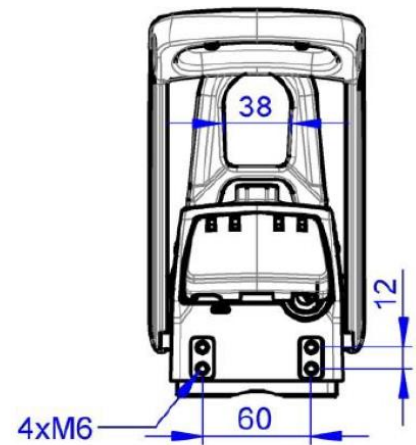
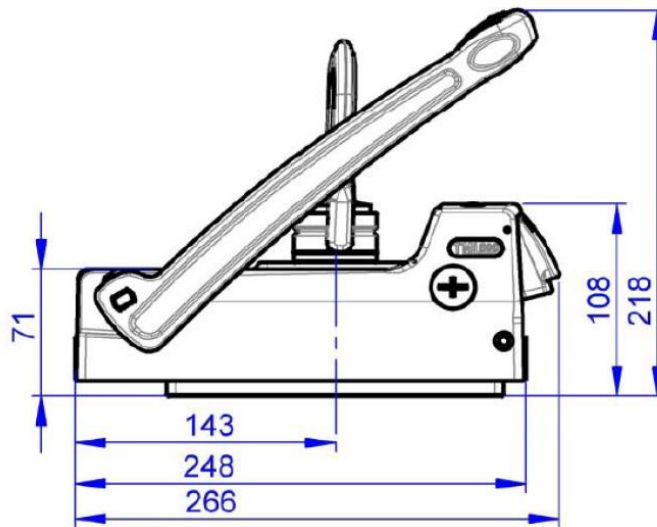
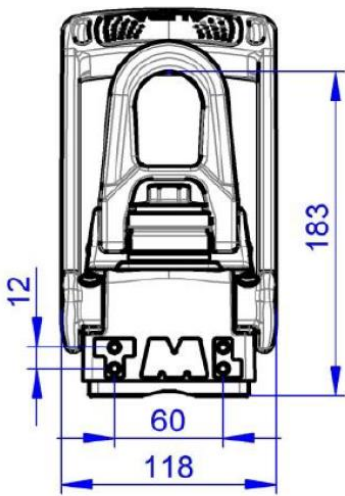
MAGLOGIX[®]



Made in Germany / USA

41500.R Dimensions

MagnaHoist™ MXL-1000.R Lifting Magnet For Flat and Pipe



Maglogix® LLC.
11196 Cardinal Drive
Parker, CO 80138

www.Maglogix.com
YouTube-search "Maglogix"
sales@maglogix.com

Ted Brooks
Sales Manager
303.885.6400