



Invented in the USA



MAGLOGIX[®]

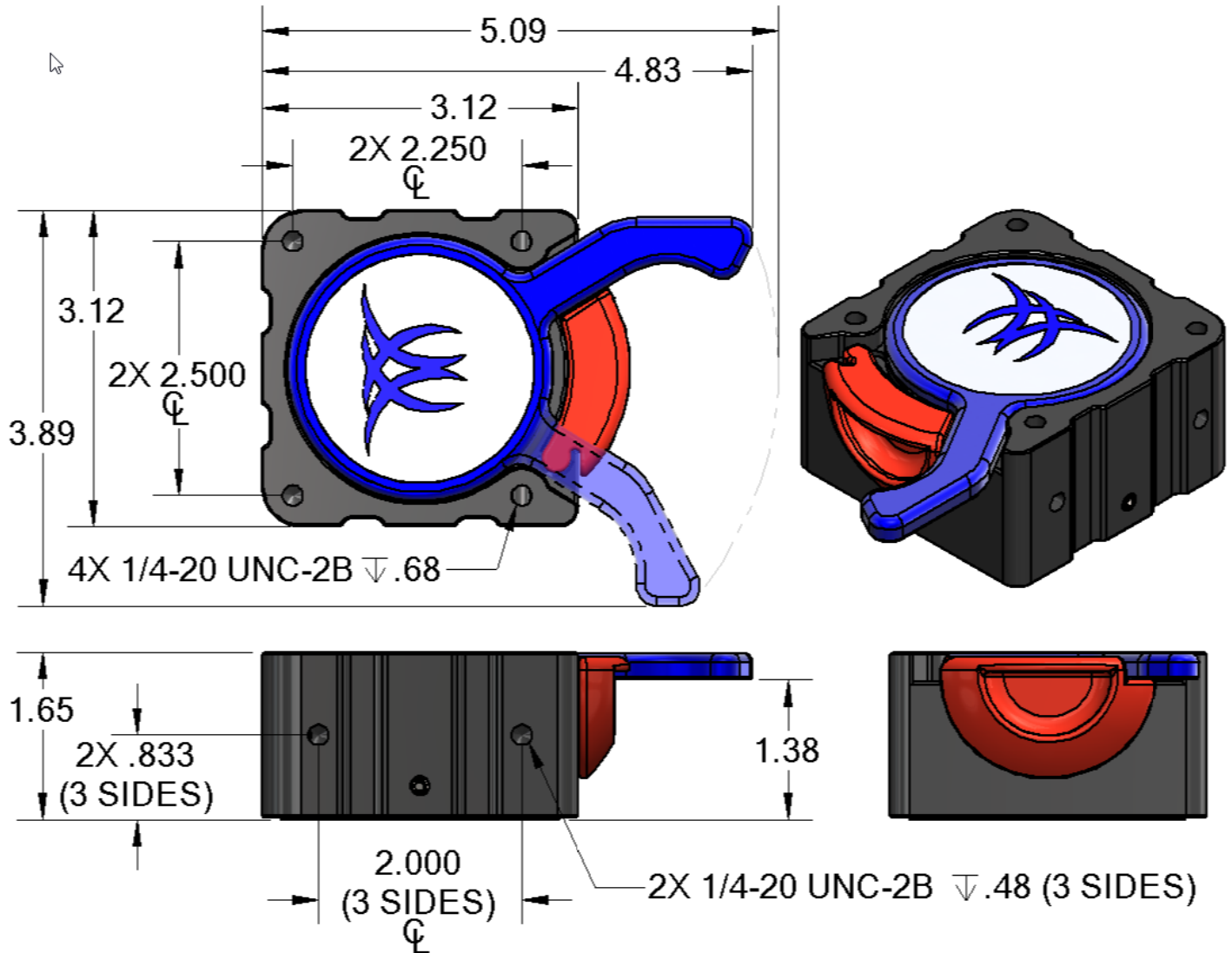


Made in Germany / USA

NO OTHER MAGNET EVEN COMES CLOSE!

41225 Dimensions

MagnaJig™ MX-500



Up to 500 lbs. of holding force on 1/4" steel and thicker

Net Weight 2.25 lbs.

Maglogix[®] LLC.
11196 Cardinal Drive
Parker, CO 80138

www.Maglogix.com
YouTube-search "Maglogix"
sales@maglogix.com

Ted Brooks
Sales Manager
303.885.6400